



Page 718
**Vario Prism Ø 50 90°/120°
 with screwed-in collar**



Page 718
**Vario Prism Ø 50 90°/120°
 with screwed-in collar**



Page 718
**Vario Prism Ø 50 90°/120°
 with screwed-in collar**



Page 719
**Prism Ø 80 120°
 with screwed-in collar**



Page 719
**Prism Ø 80 120°
 with screwed-in collar**



Page 719
**Prism Ø 80 120°
 with screwed-in collar**



Page 720
Prism Extension 50



Page 720
Prism Extension 100



Page 720
Prism Collar Screw



Page 720
Special screw



Page 721
Screw Support Ø 50



Page 722
Set of Supports 7 pieces



Page 723
Clamping Cone



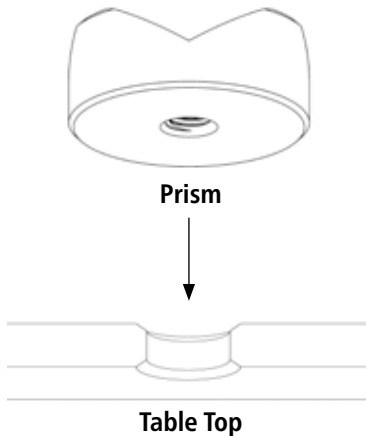
Page 724
Support height adjustable with scale



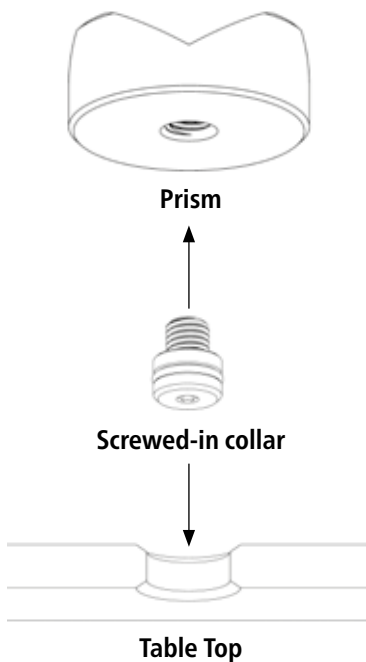
Prisms & Supports

All System 16 Prisms are equipped with a removable screwed-in collar.

Included in delivery of each Prism is a screwed-in collar and a special screw.



OR ALTERNATIVELY:



VARIO PRISM Ø 50 90° / 120°

Page 718

STYLES

Burnished
Aluminum
Polyamide

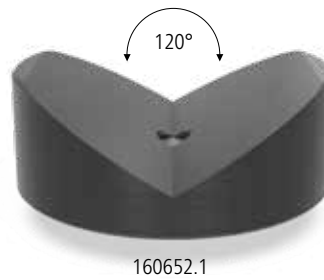


PRISM Ø 80 120°

Page 719

STYLES

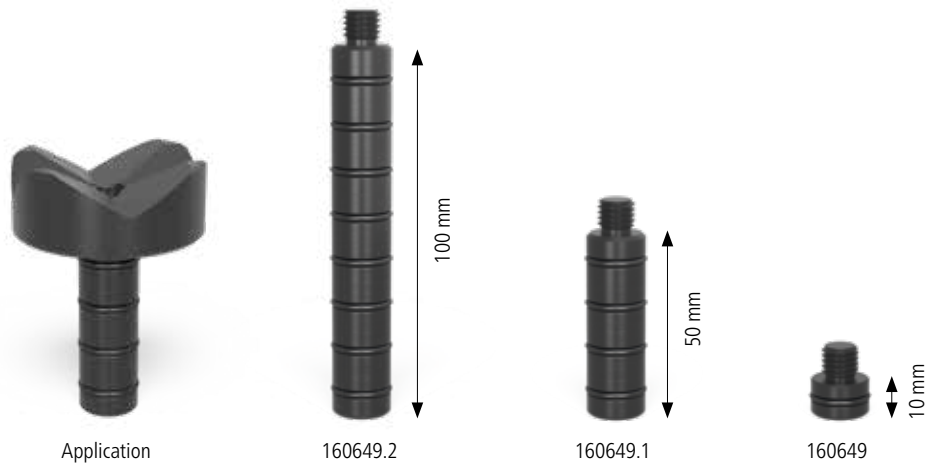
Burnished / nitrided
Aluminum
Polyamide

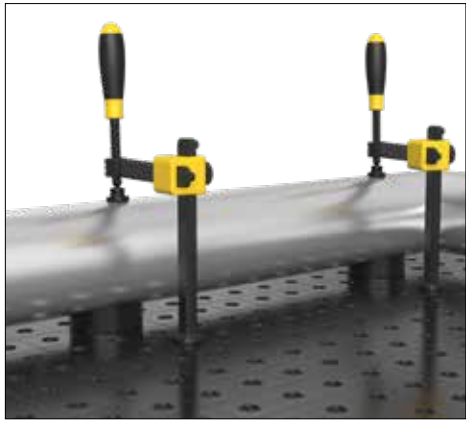


PRISM EXTENSION

Page 720

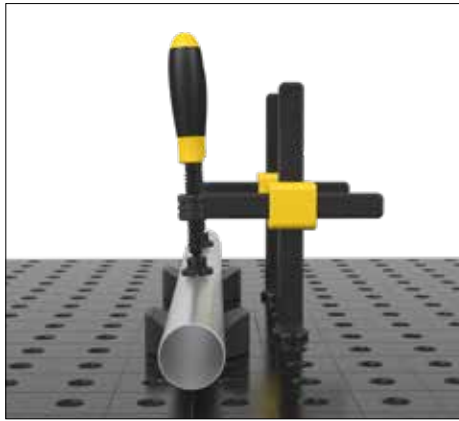
It can be quickly and securely screwed into all Prisms.





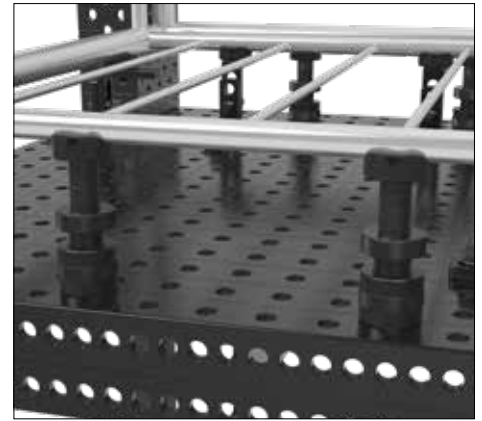
WITH COLLAR IN BORE HOLE

Prism with collar is applicable for all System 16 boreholes, and provides a sturdy support surface for pipes.



WITHOUT COLLAR ON TABLE

All System 16 Prisms can be used without collar. Consequently they can be positioned on the table independently from the hole grid.



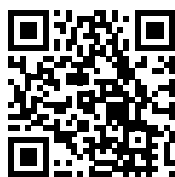
WITH PRISM EXTENSION

If required, a prism extension can be screwed in. It enables positioning at different heights, in combination with spacer washers and support discs. In combination with the screw support infinitely variable positioning is possible.

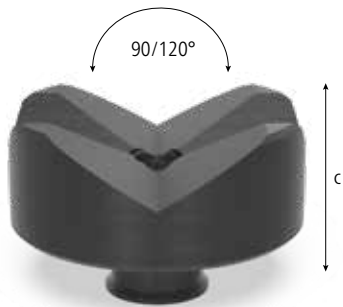
See Set of Supports (Item No. 160821) or Screw Support (Item No. 160822).

You can also
find the product
video on:

[www.siegmund.com/
V160645](http://www.siegmund.com/V160645)



Vario Prism Ø 50 90°/120° with screwed-in collar



160645.1



160645.1.A



160645.1.PA



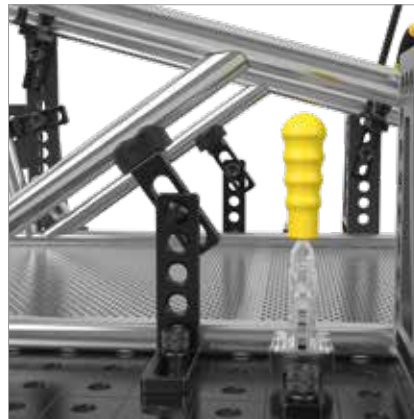
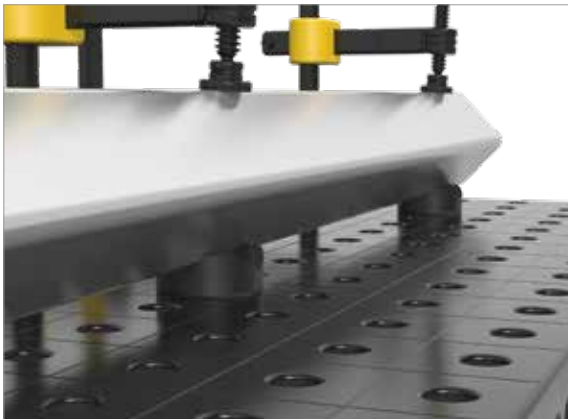
160641

Description:

Vario Prism Ø 50, suitable for both rounded and 45° twisted square pipes with a diameter up to 80 mm, due to its 90° and 120° angles. In addition, the prism can be universally used for all 16 mm bore holes.

The prism with screwed-in collar can be fastened in the bore holes. For free positioning of the prism independent of the hole grid you can easily unscrew the collar from the prism. If necessary, the working height of the prism can be varied by a prism extension.

Polyamid Prisms are used for scratch-prone surfaces.



	Height: (c)	Ø: (o)	Weight:	Item No.
Vario Prism Ø 50 90°/120° with screwed-in collar - burnished - M10 thread for example prism extensions Item No. 160649	20 mm	50 mm	0,21 kg	2-160645.1 ●
Vario Prism Ø 50 90°/120° with screwed-in collar - Aluminum - M10 thread for example prism extensions Item No. 160649	ALU 20 mm	50 mm	0,07 kg	2-160645.1.A ●
Vario Prism Ø 50 90°/120° with screwed-in collar - Polyamide - M10 thread for example prism extensions Item No. 160649	PA 20 mm	50 mm	0,03 kg	2-160645.1.PA ●
Vario Prism Ø 50 90°/120° without collar - burnished - Prism can be fastened with bolts	35 mm	50 mm	0,39 kg	2-160641 ●

● = Item produced for stock; ○ = Item produced on order; Explanations see page 84

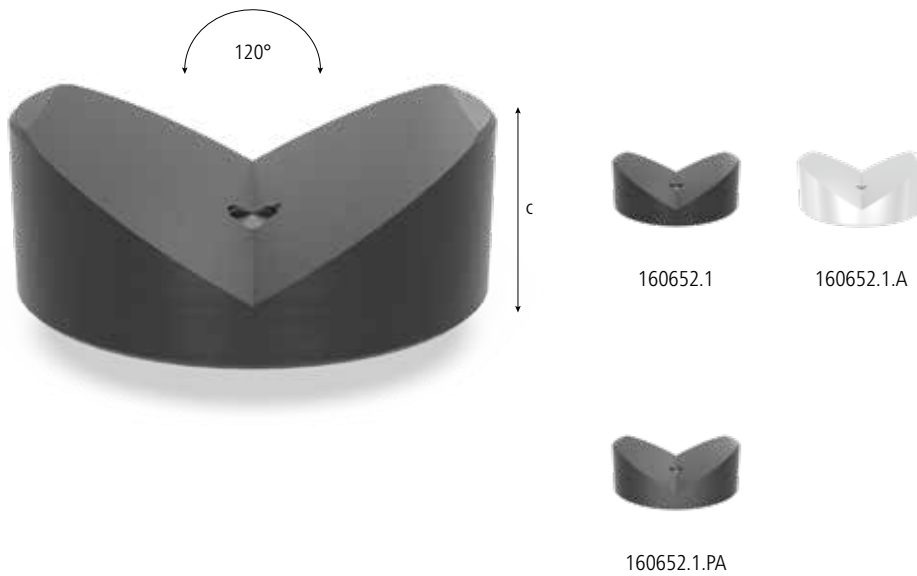
Prism Ø 80 120° with screwed-in collar

Description:

Prism Ø 80 with 120° angle, suitable for pipes with a diameter of up to 120 mm. The Prism creates a stable surface especially for round pipes and can be used for all 16 mm bore holes.

The prism with screwed-in collar can be fastened in the bore holes. For free positioning of the prism independent of the hole grid you can easily unscrew the collar from the prism. If necessary, the working height of the prism can be varied by a prism extension.

Polyamid Prisms are used for scratch-prone surfaces.



	Height: (c)	Ø: (o)	Weight:	Item No.
Prism Ø 80 120° with screwed-in collar - burnished / nitrided - M10 thread for example prism extensions Item No. 160649	30 mm	80 mm	0,77 kg	2-160652.1 ●
Prism Ø 80 120° with screwed-in collar - Aluminum - M10 thread for example prism extensions Item No. 160649	ALU 30 mm	80 mm	0,77 kg	2-160652.1.A ●
Prism Ø 80 120° with screwed-in collar - Polyamide - M10 thread for example prism extensions Item No. 160649	PA 30 mm	80 mm	0,77 kg	2-160652.1.PA ●

● = Item produced for stock; ○ = Item produced on order; Explanations see page 84

Prism Extension



160649.1

160649.2



160649



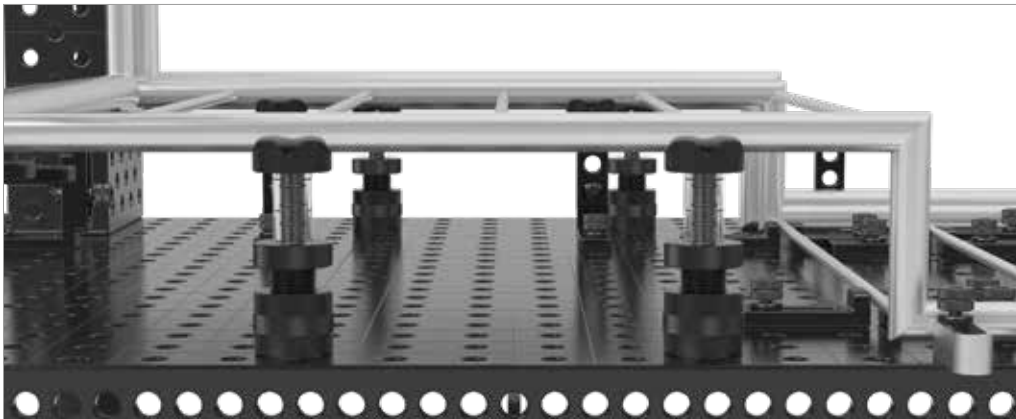
160649.0

Description:

The Prism extension can be quickly and securely screwed in all prisms and enables positioning of the prism at different heights in combination with spacers (Item No. 160821).

With the screw support (Item No. 160822) an infinitely variable positioning is possible.

Due to the thread, the Prism Extension can be bolted to other extensions or attached to a custom construction.



	Length: (a)	Ø: (o)	Weight:	Item No.
Prism Extension 50 - burnished	50 mm	16 mm	0,08 kg	2-160649.1 ●
Prism Extension 100 - burnished	100 mm	16 mm	0,15 kg	2-160649.2 ●
Prism Collar Screw - burnished	10 mm	16 mm	0,02 kg	2-160649 ●
Special screw - for prisms system 16	10 mm	16 mm	0,02 kg	2-160649.0 ●

● = Item produced for stock; ○ = Item produced on order; Explanations see page 84

Upon request, all parts are available in aluminum or polyamide version.

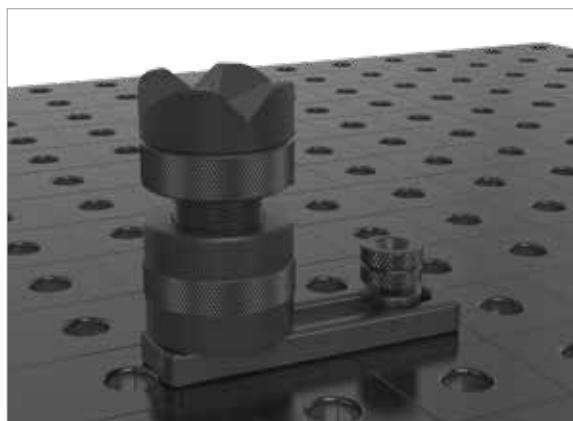
Screw Support

Description:

Screw Support, especially intended for vernier adjustments ranging from 55-75 mm. Height compensation can be substantially increased by using prism extensions and the set of supports.



160822



Screw Support Ø 50
- burnished

Height: (c)	Ø: (o)	Weight:	Item No.
55-75 mm	50 mm	0,71 kg	2-160822 ●

● = Item produced for stock; ○ = Item produced on order; Explanations see page 84



Set of Supports 7 pieces

Description:

7-piece Set of Supports, offers the option to create height-adjustable work surfaces. The individual supports can be utilized to compensate for height differences of 1-60 mm. In order to achieve the intended height precisely, the lowest grading of the Supports is 1 mm. The measurements are specified on the particular discs. The Supports can be adjusted easily and precisely with the help of O-rings. The Set of Supports can be inserted universally in all drill holes of type 16. The M10 thread on the inside of the supports enables fastening of customer specific components or prisms.



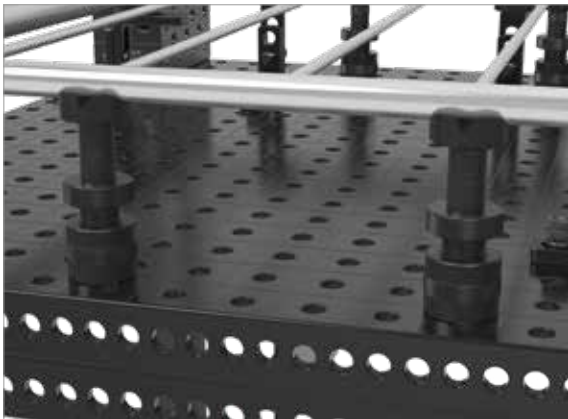
160821



160821.1



160821.2



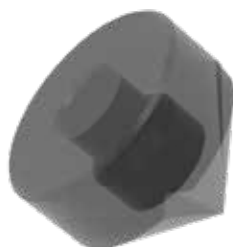
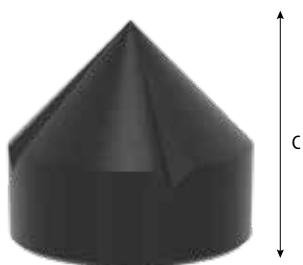
	Height: (c)	Ø: (o)	Weight:	Item No.
Set of Supports 7 pieces - burnished	65 mm	25 mm	0,17 kg	2-160821 ●
Tower for Supports - burnished	65 mm	25 mm	0,09 kg	2-160821.1 ●
Washer Set - gradation of discs: 1 / 2 / 3 / 5 mm 10 / 20 mm		25 mm	0,08 kg	2-160821.2 ●

● = Item produced for stock; ○ = Item produced on order; Explanations see page 84

Clamping Cone

Description:

Clamping Cone, enables clamping of round and square pipes with a diameter of up to < 45 mm, by simply positioning them. The Clamping Cone is fastened with bolts.



160670



Clamping Cone - burnished / nitrided	Height: (c)	Ø: (o)	Weight:	Item No.
	40 mm	45 mm	0,26 kg	2-160670 ●

● = Item produced for stock; ○ = Item produced on order; Explanations see page 84

Upon request, all parts are available in aluminum or polyamide version.

Support height adjustable with scale



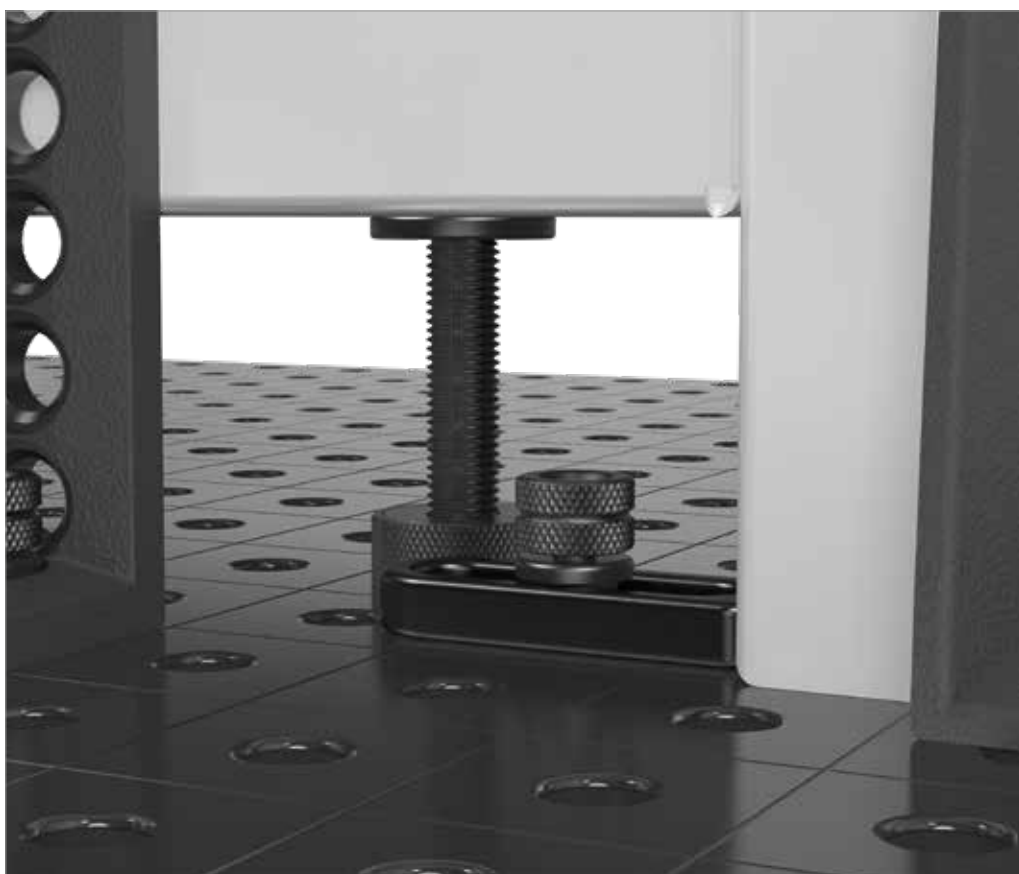
160824

Description:

The height adjustable Support with scale offers a solid support surface and can be used in all system bore holes.

The height can be adjusted steplessly in the range of 20 – 105 mm by regulating the adjusting ring and the locknut. Due to the fine scaling, the height can be adjusted accurate to the millimetre.

Available from 01.04.2019.





Support height adjustable with scale
- incl. Setscrew

Length: (a)	Ø: (o)	Weight:	Item No.
125 mm	40 mm	0,33 kg	2-160824 ●

● = Item produced for stock; ○ = Item produced on order; Explanations see page 84

